

ENGINE

Make Mercedes
Model MB904, 173 HP @ 2200 rpm

TRANSMISSION

Make Dana
Type Powershift 3 speed

FRONT AXLE

Make Dana
Oscillation +/- 10°

REAR AXLE

Make Dana

BRAKES

Type Integrated wet disc immersed in oil in axle
Service Brake hydraulically applied, spring release
Parking /Emergency Brake spring applied, hydraulic release

HYDRAULIC SYSTEM

Type Variable displacement pump
Load sensing system with proportional controls
Hydraulic tank capacity 216 L (48 imp gal)

ELECTRICAL

Voltage 24V negative ground
Alternator 100A
Other Features IP67 rated

STEERING

Specifications Frame Articulation heavy duty large spherical bearing with dual HD steering cylinders with expander pins
Articulation 45°

FUEL SYSTEM

Fuel Tank Capacity 203 L (45 imp gal)

GRADABILITY

Specifications 20%+

STANDARD EQUIPMENT

Carrier controls and instrumentation display
On board diagnostic and alarms
Hour meter
Audio back-up alarm and horn
Rear red LED running lights
Front and rear driving lights
Manual central lube points
Enclosed tool box
Emergency stop
Neutral safety
Engine high idle

OPTIONS

Available upon request

Crane Truck Mining Vehicle

CTM812



Maximum productivity and durability is engineered into every Titanium vehicle.

Built to get the job done. Quickly. Safely. Efficiently.

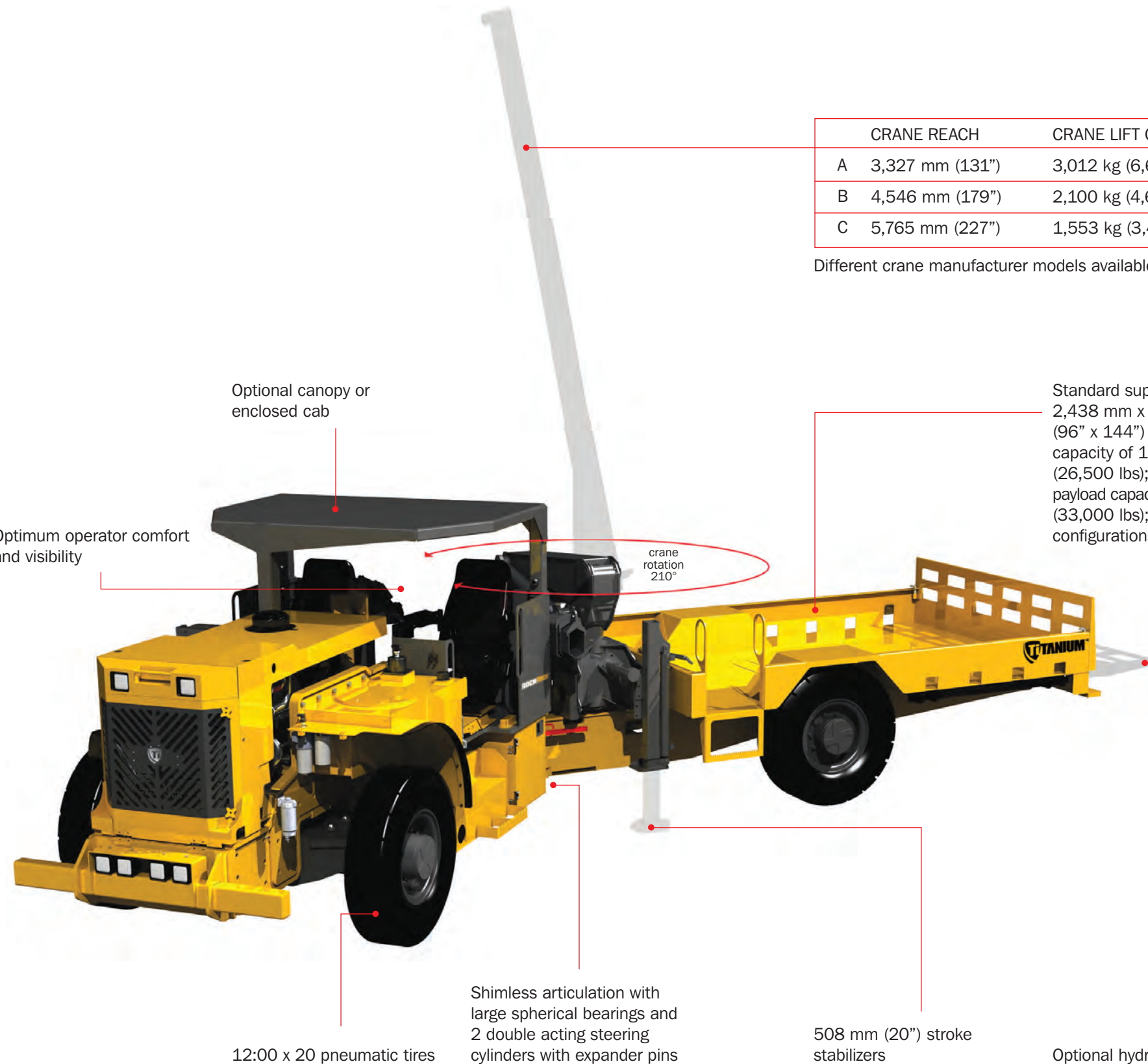


We understand the demanding needs of the mining industry.

That's why all our Titanium Series Mining Vehicles have been engineered from the ground-up to provide superior reliability, productivity and efficiency. It shows in our choice of industry-leading components, our attention to operator ergonomics to provide maximum efficiency, and our purpose-built engineering to get the job done right the first time.

CTM812

The Titanium CTM812 Crane Truck Mining Vehicle is specifically developed to improve efficiency and safety of all required deployment of equipment and supplies in underground operations. With huge payload and crane capacities and substantial crane reach and flexibility, the CTM812 is the ideal vehicle for the most challenging environments.



Optional canopy or enclosed cab

Optimum operator comfort and visibility

crane rotation 210°

Standard supply deck 2,438 mm x 3,658 mm (96" x 144") with a payload capacity of 12,000 kg (26,500 lbs); optional deck payload capacity of 15,000 kg (33,000 lbs); variety of deck configurations available

12:00 x 20 pneumatic tires

Shimless articulation with large spherical bearings and 2 double acting steering cylinders with expander pins

508 mm (20") stroke stabilizers

Optional hydraulic tailgate

	CRANE REACH	CRANE LIFT CAPACITY
A	3,327 mm (131")	3,012 kg (6,642 lbs)
B	4,546 mm (179")	2,100 kg (4,620 lbs)
C	5,765 mm (227")	1,553 kg (3,425 lbs)

Different crane manufacturer models available



On-board diagnostic monitoring to protect key critical systems



Comfortable swivel hydraulic suspension seat, dual armrests and joy-stick control



Easy access for pre-operational checks and servicing



Compartments for operator tool box, lubricant storage, centralized greasing, brake accumulators and batteries



The proven reliability of Mercedes in an integrated removable power module



Hot and cold sides designed for additional safety