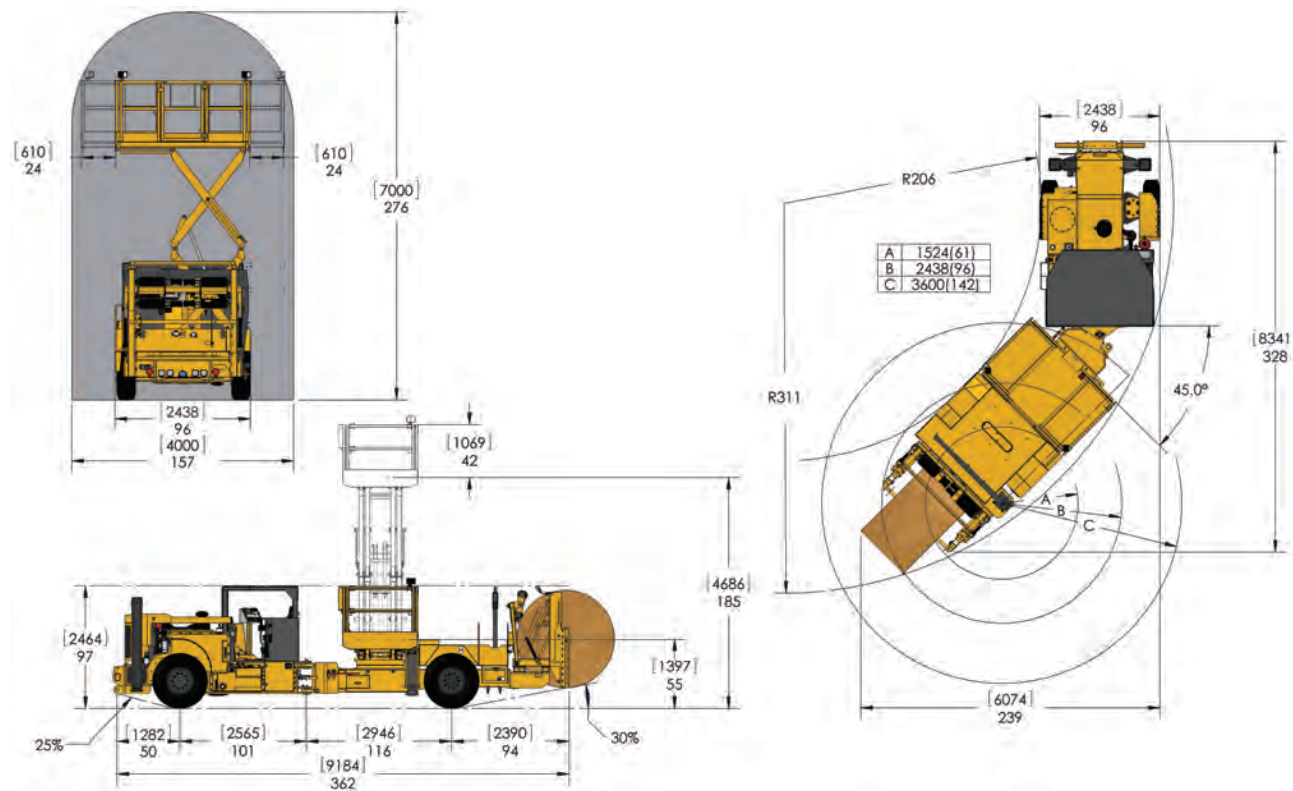


Electrician Service Mining Vehicle

ESV85



ENGINE

Make Mercedes
Model MB904, 173 HP @ 2200 rpm

TRANSMISSION

Make Dana
Type Powershift 3 speed

FRONT AXLE

Make Dana
Oscillation +/- 10°

REAR AXLE

Make Dana

BRAKES

Type Integrated wet disc immersed in oil in axle
Service Brake hydraulically applied, spring release
Parking /Emergency Brake spring applied, hydraulic release

HYDRAULIC SYSTEM

Type Variable displacement pump
Load sensing system with proportional controls
Hydraulic tank capacity 216 L (48 imp gal)

ELECTRICAL

Voltage 24V negative ground
Alternator 100A
Other Features IP67 rated

STEERING

Specifications Frame Articulation heavy duty large spherical bearing with dual HD steering cylinders with expander pins
Articulation 45°

FUEL SYSTEM

Fuel Tank Capacity 203 L (45 imp gal)

GRADABILITY

Specifications 20%+

STANDARD EQUIPMENT

Carrier controls and instrumentation display
On board diagnostic and alarms
Hour meter
Audio back-up alarm and horn
Rear red LED running lights
Front and rear driving lights
Manual central lube points
Enclosed tool box
Emergency stop
Neutral safety
Engine high idle

OPTIONS

Available upon request

Rock-Tech is a Canadian manufacturer of equipment designed purposely for underground mining applications. Our years of experience in mining applications have enabled us to engineer products that are safe, cost-effective, productive and reliable. Our customers include some of the world's largest mining companies.

160 Magill Street, Lively, Ontario, Canada P3Y 1K7
705.692.7625
www.rock-tech.net

- Premium Mine Utility Vehicles
- Fuel/Lubricants Storage and Handling Systems
- Stationary Rockbreaker Systems

Maximum productivity and durability is engineered into every Titanium vehicle.

Built to get the job done. Quickly. Safely. Efficiently.

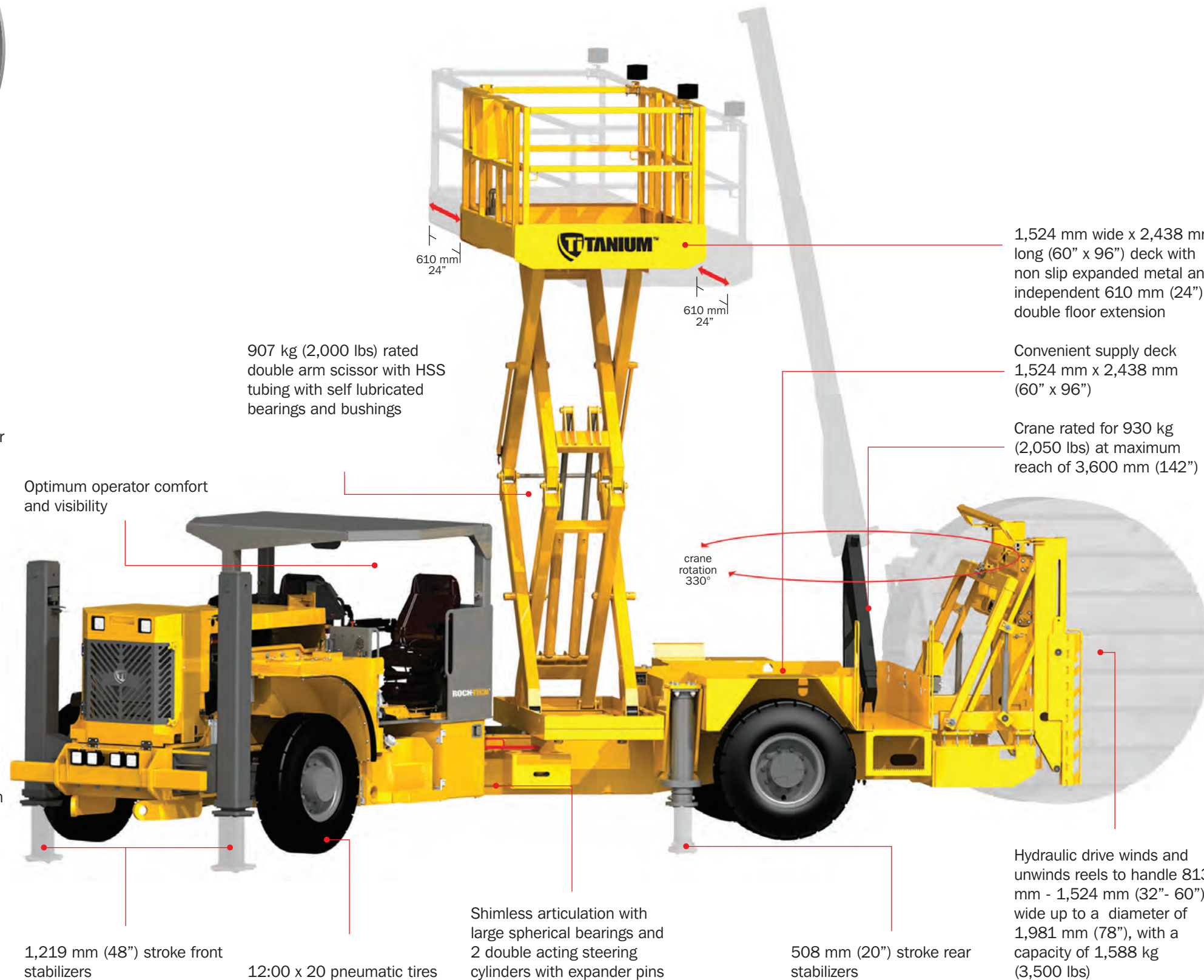


We understand the demanding needs of the mining industry.

That's why all our Titanium Series Utility Vehicles have been engineered from the ground-up to provide superior reliability, productivity and efficiency. It shows in our choice of industry-leading components, our attention to operator ergonomics to provide maximum efficiency, and our purpose-built engineering to get the job done right the first time.

ESV85

The Titanium ESV85 Electrician Service Mining Vehicle is specifically developed to improve efficiency and safety of all required electrical installation and maintenance services in underground operations. As well, this vehicle can tram from the scissor platform while being elevated.



On-board diagnostic monitoring to protect key critical systems



Comfortable swivel hydraulic suspension seat, dual armrests and joy-stick control



Easy access for pre-operational checks and servicing



Compartments for operator tool box, lubricant storage, centralized greasing, brake accumulators and batteries



Remote traction and steering control, including stabilizer, start-stop and emergency stop



Hot and cold sides designed for additional safety