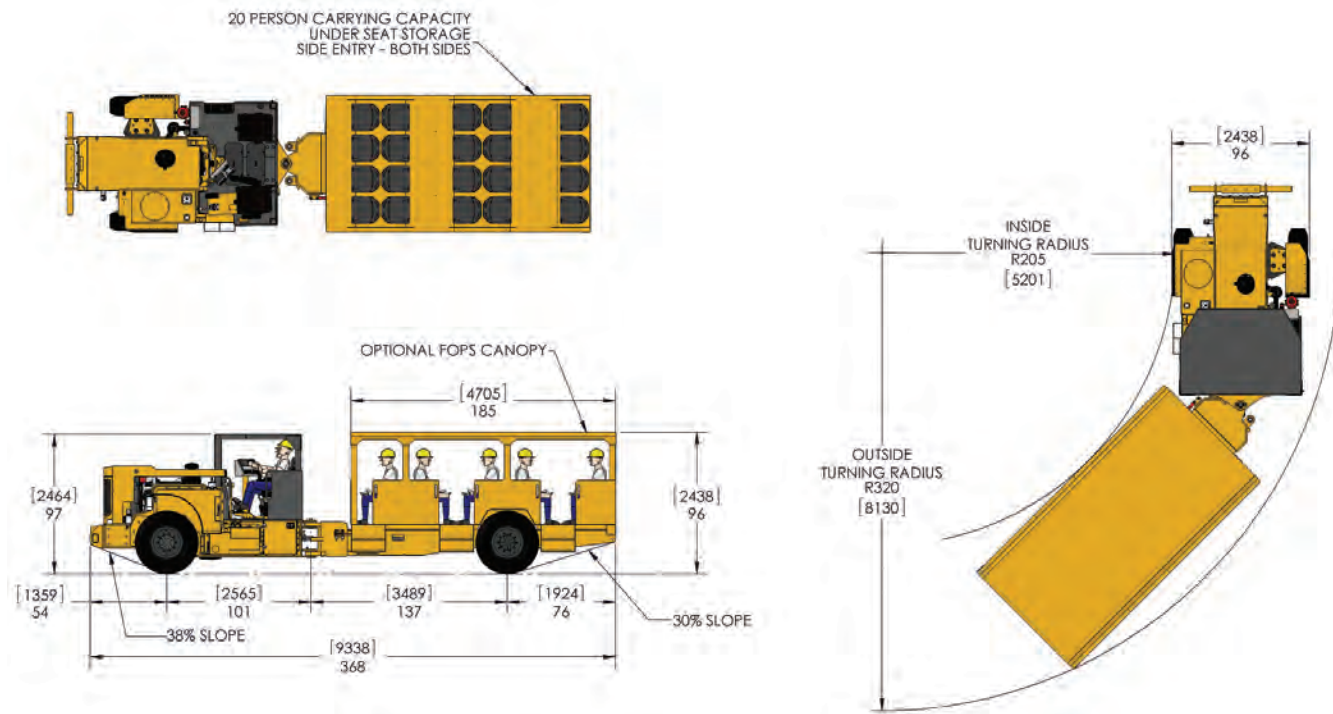


## Personnel Carrying Mining Vehicle

PC22



### ENGINE

Make Mercedes  
Model MB904, 173 HP @ 2200 rpm

### TRANSMISSION

Make Dana  
Type Powershift 3 speed

### FRONT AXLE

Make Dana  
Oscillation +/- 10°

### REAR AXLE

Make Dana

### BRAKES

Type Integrated wet disc immersed in oil in axle  
Service Brake hydraulically applied, spring release  
Parking /Emergency Brake spring applied, hydraulic release

### HYDRAULIC SYSTEM

Type Variable displacement pump  
Load sensing system with proportional controls  
Hydraulic tank capacity 216 L (48 imp gal)

### ELECTRICAL

Voltage 24V negative ground  
Alternator 100A  
Other Features IP67 rated

### STEERING

Specifications Frame Articulation heavy duty large spherical bearing with dual HD steering cylinders with expander pins  
Articulation 45°

### FUEL SYSTEM

Fuel Tank Capacity 203 L (45 imp gal)

### GRADABILITY

Specifications 20%+

### STANDARD EQUIPMENT

Carrier controls and instrumentation display  
On board diagnostic and alarms  
Hour meter  
Audio back-up alarm and horn  
Rear red LED running lights  
Front and rear driving lights  
Manual central lube points  
Enclosed tool box  
Emergency stop  
Neutral safety  
Engine high idle

### OPTIONS

Available upon request

Rock-Tech is a Canadian manufacturer of equipment designed purposely for underground mining applications. Our years of experience in mining applications have enabled us to engineer products that are safe, cost-effective, productive and reliable. Our customers include some of the world's largest mining companies.

160 Magill Street, Lively, Ontario, Canada P3Y 1K7  
705.692.7625  
[www.rock-tech.net](http://www.rock-tech.net)

- Premium Mine Utility Vehicles
- Fuel/Lubricants Storage and Handling Systems
- Stationary Rockbreaker Systems

# Maximum productivity and durability is engineered into every Titanium vehicle.

# Built to get the job done. Quickly. Safely. Efficiently.



## We understand the demanding needs of the mining industry.

That's why all our Titanium Series Mining Vehicles have been engineered from the ground-up to provide superior reliability, productivity and efficiency. It shows in our choice of industry-leading components, our attention to operator ergonomics to provide maximum efficiency, and our purpose-built engineering to get the job done right the first time.

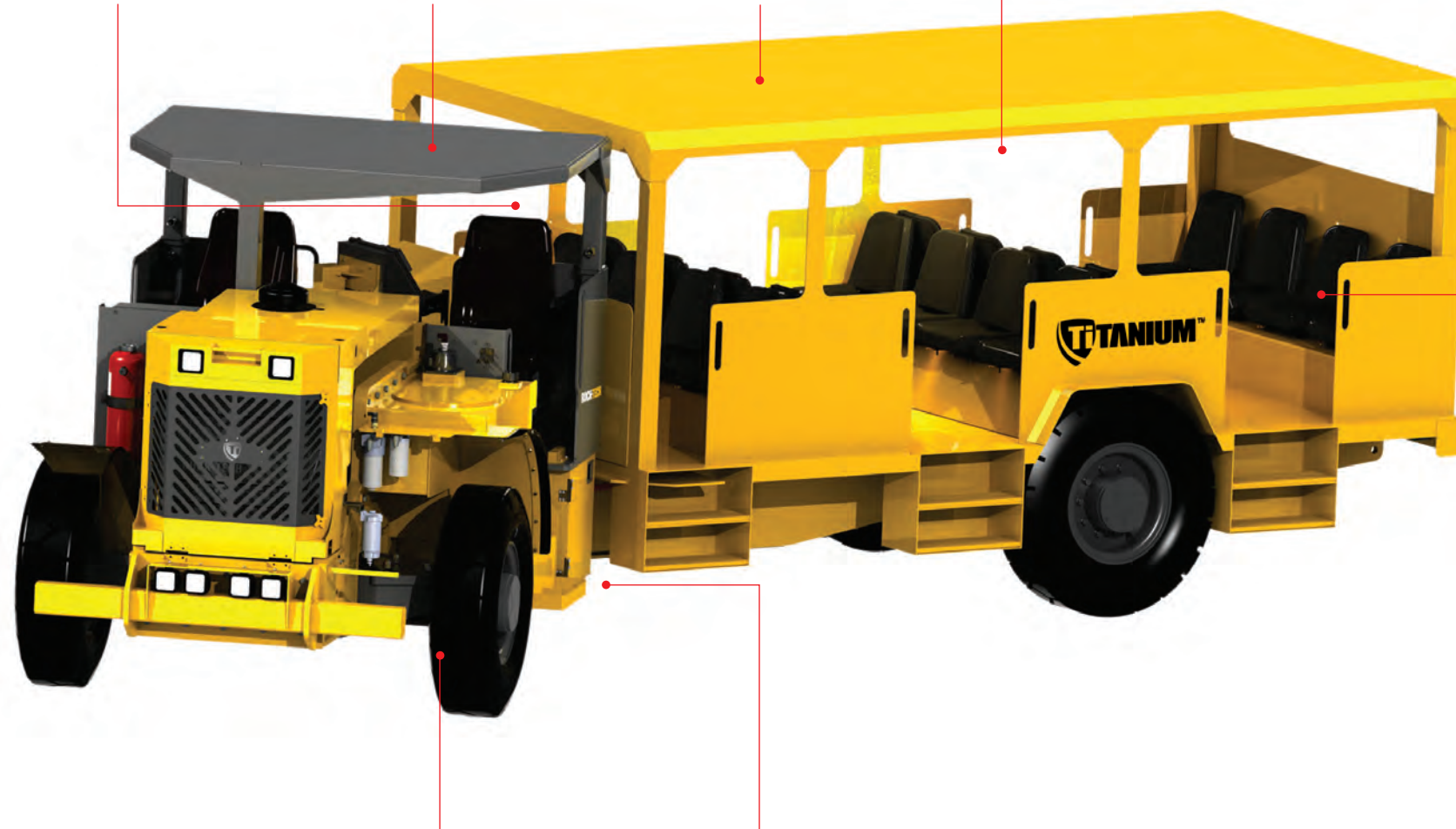
## PC22

The Titanium PC22 Personnel Carrying Mining Vehicle is specifically developed to improve efficiency and safety of all required deployment of personnel in underground operations. Teams of up to 30 can be transported to the job site quickly and comfortably.

Optimum operator comfort and visibility

Optional canopy or enclosed cab

Optional FOPS canopy



12:00 x 20 pneumatic tires

Shimless articulation with large spherical bearings and 2 double acting steering cylinders with expander pins

Standard 22 person seating arrangement

Optional 26 and 30 seat available



On-board diagnostic monitoring to protect key critical systems



Comfortable swivel hydraulic suspension seat, dual armrests and joy-stick control



Easy access for pre-operational checks and servicing



Compartments for operator tool box, lubricant storage, centralized greasing, brake accumulators and batteries



The proven reliability of Mercedes in an integrated removable power module



Hot and cold sides designed for additional safety

Optional individual suspension and seat belts for each seating arrangement